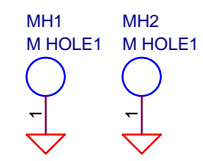
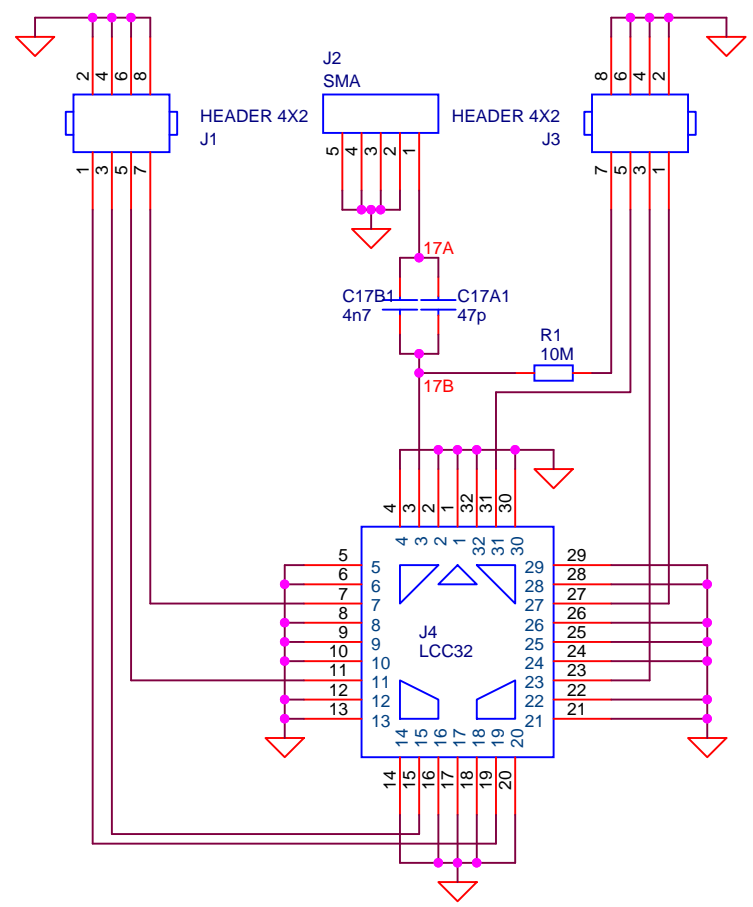
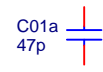
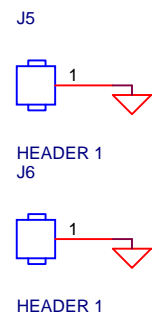


D

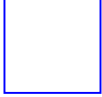
C

B

A



PCB1  
pcb 12-008



DEMO-CEO  
Van der Waalsweg 8  
2628 CH Delft

Title  
Sample Boards Soini

Size A4	Document Number 12-008	Rev 1.0
------------	---------------------------	------------

Date: Monday, March 21, 2016 Sheet 1 of 1